

SECTION A-A
(MOUNTING INTERFACE)

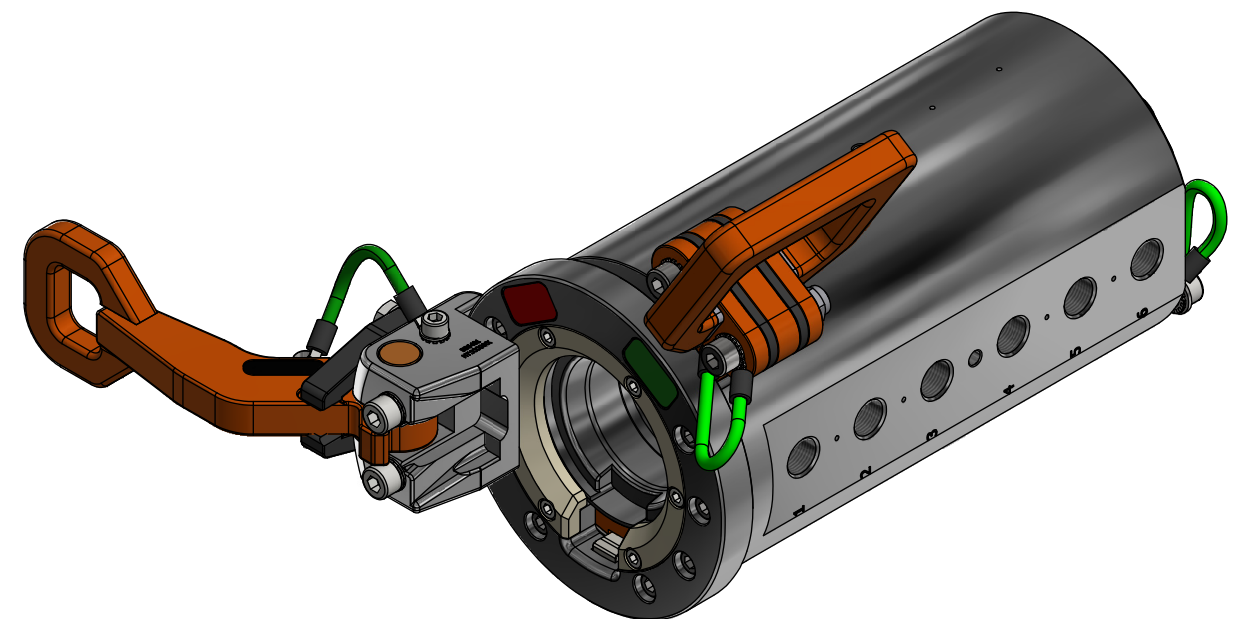
NOTE: 1
DESIGN CODE:
N/A

NOTE: 2
TECHNICAL CLASSIFICATION:
Article Type: 003-Valve Stabs
Main Group: 3.07. Ø55/Ø57-Valvestab
Intermediate Group: 3.42.02. Receptacle
Sub Group: 3.42.103.6. Hexa

NOTE: 3
INTERFACE INFORMATION:
Pressure Rating Bar: 690
Material: Long-term
Weight: 22 kg
Volume: 2,88 dm³
Surface Area: 6215 cm²
Hydraulic: 3/8" BSP
Mechanical: 8xM10 (45x45x45)
Electrical: N/A
Com. & Protocol: N/A

NOTE: 4
ADDITIONAL INFORMATION:
Valve Stab Receptacle with 6 individual hydraulic lines for long term submersion, when connected to external CP system.
This valve stab receptacle is equipped with a universal key and can be inserted and mated with stabs with any key. The receptacle will also fit into standard stabs without key.
A mechanical lever arm reduces stab mating force.
When stab is inserted and valves opened (red position) a weak link system ensures that the stab can be pulled out in an emergency situation, emergency release force approx. 3kN.
For more information - request usermanual 600142-TD-0001.

NOTE: 5
SPAREPARTS:
<http://e-sea.bluelogic.no/main.aspx?page=article&artno=BB1053>



ITEM		QTY	PART No.	TITLE	WEBLINK
1	1	BB6482	Lock Mechanism Ø55/Ø57 HP VStab V2 Universal	http://e-sea.bluelogic.no/main.aspx?page=article&artno=BB6482	
2	1	BA7466	Ø55/Ø57 HP VStab Rec 10k Long-term BSP 3/8" Double Seal	http://e-sea.bluelogic.no/main.aspx?page=article&artno=BA7466	

Rev.	Date	Reason for issue	Revision change	Made	Chk'd	Appr.
02	22.8.2023	9-IFU (Issued for Use)			HNJ	LGH
01	20.4.2021	9-IFU (Issued for Use)			WTJ	LGH



Dwg Scale: NTS	Dwg Proj: 	Drawing title: Ø55/Ø57 HP VStab Rec BSP 3/8" wLock Mechanism Universal Key
Dwg Format: A3	Drawing number: BB6168	Rev: 02